



SAE Flansche Stahl





Inhaltsverzeichnis

Table of contents

Einschraubflansch SAE mit Gewinde BSP	2
BSP threaded SAE flanges.....	2
Einschraubflansch SAE mit Gewinde BSP	3
BSP threaded SAE flanges.....	3
Einschraubflansch SAE mit Gewinde NPT	4
NPT threaded SAE flanges.....	4
Einlötfansch SAE	5
Weld in SAE flanges	5
Anschweissflansch SAE	6
Weld on SAE flanges.....	6
Gegenflanschverbinder SAE mit Gewinde BSP	7
BSP threaded SAE counterflanges	7
Gegenflanschverbinder SAE zum Einlöten	8
Weld in SAE counterflanges	8
Gegenflanschverbinder SAE zum Anschweissen	9
Weld on SAE counterflanges.....	9
90° Flanschverbinder SAE mit Gewinde BSP	10
90° BSP threaded SAE flanges	10
90° Flanschverbinder SAE zum Anschweissen.....	11
90° weld in SAE flanges.....	11
SAE Verschlussflansch.....	12
Blinde flanges SAE	12
SAE Voll-Flanschverbinder.....	13
Uncut SAE split flanges	13
SAE Halbflansche.....	14
SAE split flanges.....	14
SAE Voll-Flanschverbinder als Gegenflansch mit Gewinde.....	15
Uncut SAE split flanges with metric threaded fixing holes	15
SAE Flansch-Schulter zum Vorschweissen	16
Weld on SAE adaptors	16
O-Ringe.....	17
O-Rings.....	17
Spezifikation für SAE-Flanschlochbilder.....	17
Specification for SAE flange ports	17
Abmasse für SAE-Flanschlochbilder	18
Dimenson for SAE flange ports	18
Flow rate nomogram.....	19
Nomogram	20
Chemische Material Zusammensetzung	21
Chemical material composition.....	21
INDEX.....	22

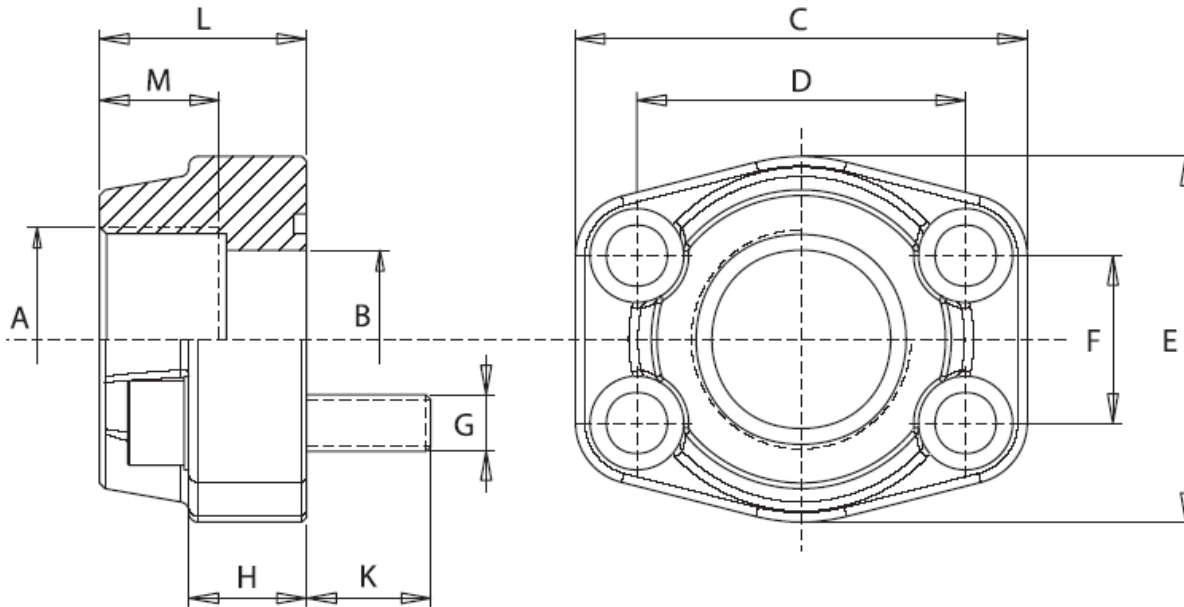


Einschraubflansch SAE mit Gewinde BSP

BSP threaded SAE flanges

mit metrischen Befestigungsschrauben

Material: Stahl ASTM/A 105



Max. Druck	TYPE	A	B	C	D	E	F	G	H	K	L	M	OR	ATP-Artikelnummer
		BSP						Metr.					O-Ring	
345	C.F.S. 080-GAS-M	1/2"	13	58	38	48	17.5	M 8	16	14	36	15	AN 210	070 511 205
345	C.F.S. 100-GAS-M	3/4"	19	67	47.6	50	22.2	M10	18	16	36	18	AN 214	070 511 207
345	C.F.S. 102-GAS-M	1"	25	72	52.4	54	26.2	M10	18	16	38	20	AN 219	070 511 210
275	C.F.S. 104-GAS-M	1 1/4"	31	80	58.7	70	30.2	M10	21	18	41	22	AN 222	070 511 211
200	C.F.S. 106-GAS-M	1 1/2"	38	94	70	78	35.7	M12	25	18	44	24	AN 225	070 511 215
200	C.F.S. 108-GAS-M	2"	50	104	77.8	90	42.9	M12	25	18	45	26	AN 228	070 511 220
170	C.F.S. 110-GAS-M	2 1/2"	63	116	89	102	50.8	M12	25	18	50	30	AN 232	070 511 225
135	C.F.S. 112-GAS-M	3"	73	136	106.4	125	62	M16	27	25	50	30	AN 237	070 511 230
35	C.F.S. 114-GAS-M	3 1/2"	89	153	120.7	137	70	M16	27	25	50	30	AN 241	070 511 235
35	C.F.S. 116-GAS-M	4"	99	162	130	147	77.8	M16	27	25	48	30	AN 245	070 511 240

Max. Druck	TYPE	A	B	C	D	E	F	G	H	K	L	M	OR	ATP-Artikelnummer
		BSP						Metr.					O-Ring	
420	C.F.S. 401-GAS-M	3/8"	13	58	40.5	48	18.3	M 8	16	14	36	13	AN 210	070 531 203
420	C.F.S. 402-GAS-M	3/4"	19	72	50.8	54	23.8	M10	19	16	36	18	AN 214	070 531 207
420	C.F.S. 403-GAS-M	1"	25	81	57.1	70	27.8	M12	24	19	44	20	AN 219	070 531 210
420	C.F.S. 404-GAS-M	1 1/4"	31	95	66.7	78	31.6	M14	27	22	44	22	AN 222	070 531 211
420	C.F.S. 405-GAS-M	1 1/2"	38	107	79.4	90	36.5	M16	30	24	51	24	AN 225	070 531 215
420	C.F.S. 406-GAS-M	2"	50	136	96.8	117	44.4	M20	37	32	70	33	AN 228	070 531 220

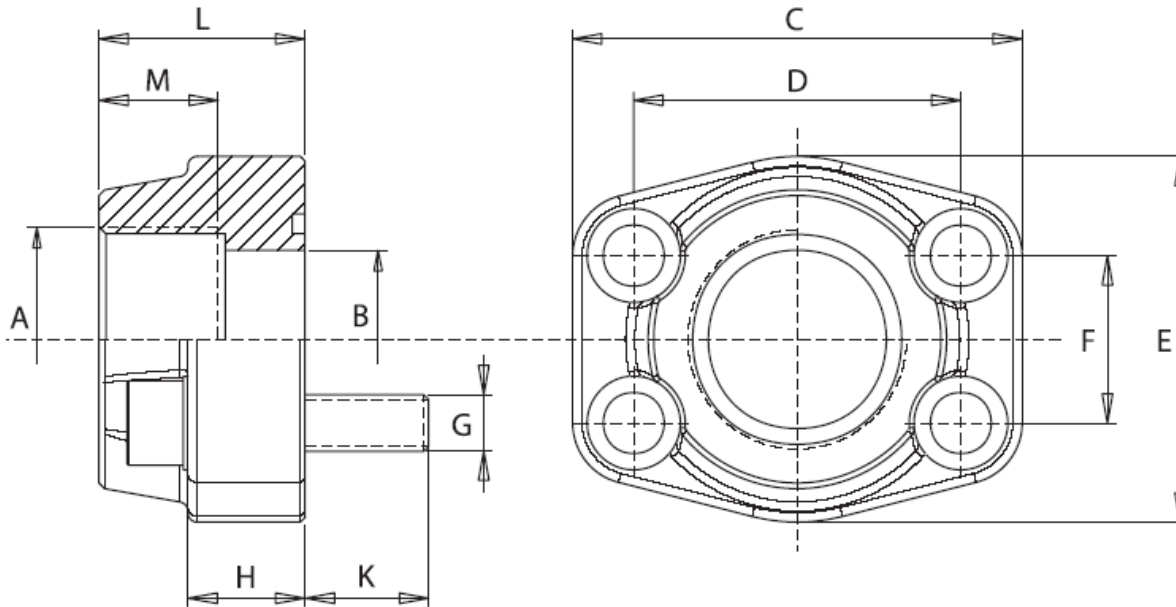


Einschraubflansch SAE mit Gewinde BSP

BSP threaded SAE flanges

mit UNC Befestigungsschrauben

Material: Stahl ASTM/A 105



Max. Druck	TYPE	A	B	C	D	E	F	G	H	K	L	M	OR	ATP-Artikelnummer
		BSP						UNC					O-Ring	
345	C.F.S. 080-GAS-U	1/2"	13	58	38	48	17.5	5/16"	16	14	36	15	AN 210	070 511 255
345	C.F.S. 100-GAS-U	3/4"	19	67	47.6	50	22.2	3/8"	18	16	36	18	AN 214	070 511 257
345	C.F.S. 102-GAS-U	1"	25	72	52.4	54	26.2	3/8"	18	16	38	20	AN 219	070 511 260
275	C.F.S. 104-GAS-U	1 1/4"	31	81	58.7	70	30.2	7/16"	21	18	41	22	AN 222	070 511 261
200	C.F.S. 106-GAS-U	1 1/2"	38	95	70	78	35.7	1/2"	25	18	44	24	AN 225	070 511 265
200	C.F.S. 108-GAS-U	2"	50	104	77.8	90	42.9	1/2"	25	18	45	26	AN 228	070 511 270
170	C.F.S. 110-GAS-U	2 1/2"	63	116	89	102	50.8	1/2"	25	18	50	30	AN 232	070 511 275
135	C.F.S. 112-GAS-U	3"	73	136	106.4	125	62	5/8"	27	25	50	30	AN 237	070 511 277
35	C.F.S. 114-GAS-U	3 1/2"	89	153	120.7	137	70	5/8"	27	25	50	30	AN 241	070 511 280
35	C.F.S. 116-GAS-U	4"	99	163	130	147	77.8	5/8"	27	25	50	30	AN 245	070 511 285

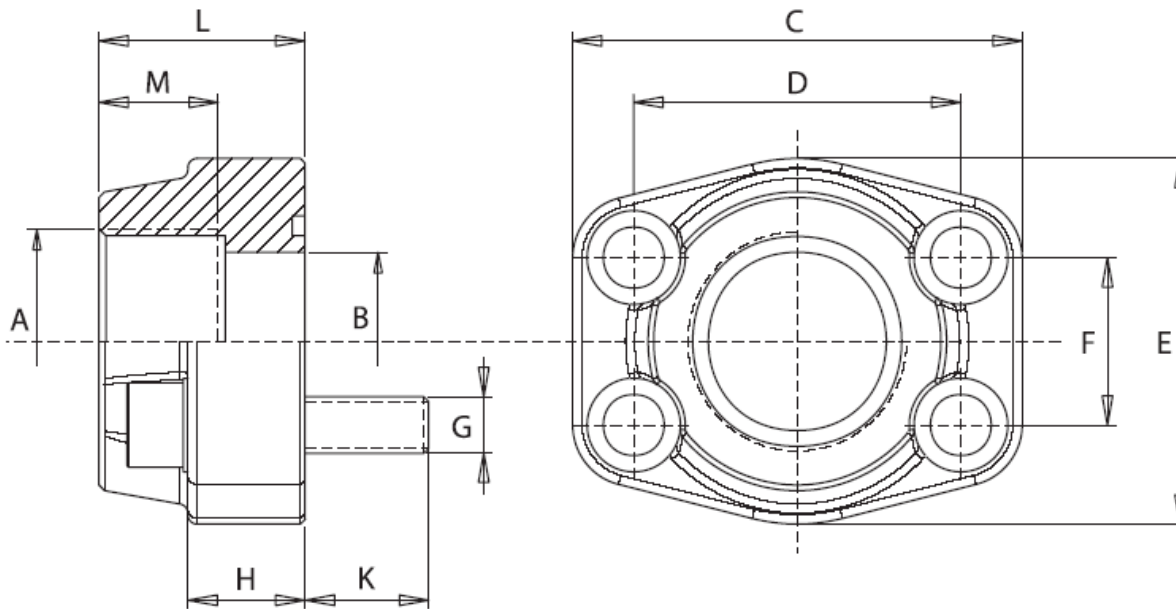
Max. Druck	TYPE	A	B	C	D	E	F	G	H	K	L	M	OR	ATP-Artikelnummer
		BSP						UNC					O-Ring	
420	C.F.S. 401-GAS-U	3/8"	13	58	40.5	48	18.3	5/16"	16	14	36	13	AN 210	070 531 253
420	C.F.S. 402-GAS-U	3/4"	19	72	50.8	54	23.8	3/8"	19	16	36	18	AN 214	070 531 257
420	C.F.S. 403-GAS-U	1"	25	81	57.1	70	27.8	7/16"	24	19	44	20	AN 219	070 531 260
420	C.F.S. 404-GAS-U	1 1/4"	31	95	66.7	78	31.6	1/2"	27	22	44	22	AN 222	070 531 261
420	C.F.S. 405-GAS-U	1 1/2"	38	107	79.4	90	36.7	5/8"	30	24	51	24	AN 225	070 531 265
420	C.F.S. 406-GAS-U	2"	50	136	96.8	117	44.4	3/4"	37	32	70	33	AN 228	070 531 270



Einschraubflansch SAE mit Gewinde NPT

NPT threaded SAE flanges

Material: Stahl ASTM/A 105



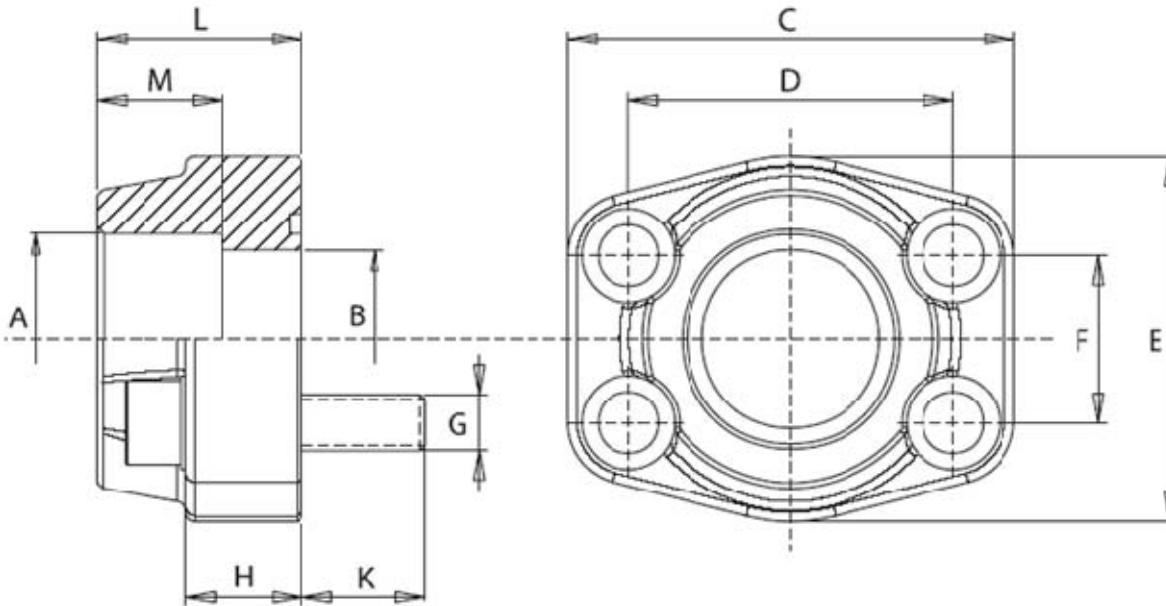
Max. Druck	TYPE	A	B	C	D	E	F	G	H	K	L	M	OR	ATP Artikelnummer
		NPT						Metr.					O-Ring	
345	C.F.S. 080-NPT-M	1/2"	13	58	38	48	17.5	M 8	16	14	36	19	AN 210	070 511 305
345	C.F.S. 100-NPT-M	3/4"	19	67	47.6	50	22.2	M10	18	16	36	19	AN 214	070 511 307
345	C.F.S. 102-NPT-M	1"	25	72	52.4	54	26.2	M10	18	16	38	19	AN 219	070 511 310
275	C.F.S. 104-NPT-M	1 1/4"	31	81	58.7	70	30.2	M10	21	18	41	22	AN 222	070 511 312
200	C.F.S. 106-NPT-M	1 1/2"	38	95	70	78	35.7	M12	25	18	44	24	AN 225	070 511 315
200	C.F.S. 108-NPT-M	2"	50	104	77.8	90	42.9	M12	25	18	45	26	AN 228	070 511 320

Max. Druck	TYPE	A	B	C	D	E	F	G	H	K	L	M	OR	ATP Artikelnummer
		NPT						Metr.					O-Ring	
420	C.F.S. 401-NPT-M	3/8"	13	58	40.5	48	18.3	M 8	16	14	36	19	AN 210	070 531 303
420	C.F.S. 401-NPT-M	1/2"	13	58	40.5	48	18.3	M 8	16	14	36	19	AN 210	070 531 305
420	C.F.S. 402-NPT-M	3/4"	19	72	50.8	54	23.8	M10	19	16	36	22	AN 214	070 531 307
420	C.F.S. 403-NPT-M	1"	25	81	57.1	70	27.8	M12	24	19	44	24	AN 219	070 531 310
420	C.F.S. 404-NPT-M	1 1/4"	31	95	66.7	78	31.6	M14	27	22	44	25	AN 222	070 531 312
420	C.F.S. 405-NPT-M	1 1/2"	38	107	79.4	90	36.5	M16	30	24	51	28	AN 225	070 531 315



Einlötlansch SAE Weld in SAE flanges

Material: Stahl ASTM/A 105



Max. Druck	TYPE	A		B	C	D	E	F	G	H	K	L	M	OR O-Ring	ATP Artikelnummer
		Metr.													
345	C.F.S. 080-S-M	21.6	1/2"	13	58	38.1	48	17.5	M8	16	14	36	18	AN 210	070 513 205
345	C.F.S. 100-S-M	27.2	3/4"	19	67	47.6	50	22.2	M10	18	16	36	18	AN 214	070 513 207
345	C.F.S. 102-S-M	34.1	1"	25	71	52.4	54	26.2	M10	18	16	38	18	AN 219	070 513 210
275	C.F.S. 104-S-M	42.8	1 1/4"	31	81	58.7	70	30.2	M10	21	18	41	20	AN 222	070 513 211
200	C.F.S. 106-S-M	48.6	1 1/2"	38	95	69.8	78	35.7	M12	25	18	44	22	AN 225	070 513 215
200	C.F.S. 108-S-M	61	2"	50	104	77.8	90	42.9	M12	25	18	45	24	AN 228	070 513 220
170	C.F.S. 110-S-M	76.6	2 1/2"	63	116	88.9	102	50.8	M12	25	18	50	28	AN 232	070 513 225
135	C.F.S. 112-S-M	90.5	3"	73	136	106.4	125	61.9	M16	27	25	50	28	AN 237	070 513 230
35	C.F.S. 114-S-M	103	3 1/2"	89	154	120.7	138	69.8	M16	27	25	50	28	AN 241	070 513 235
35	C.F.S. 116-S-M	115.5	4"	99	164	130.2	148	77.8	M16	27	25	50	28	AN 245	070 513 240

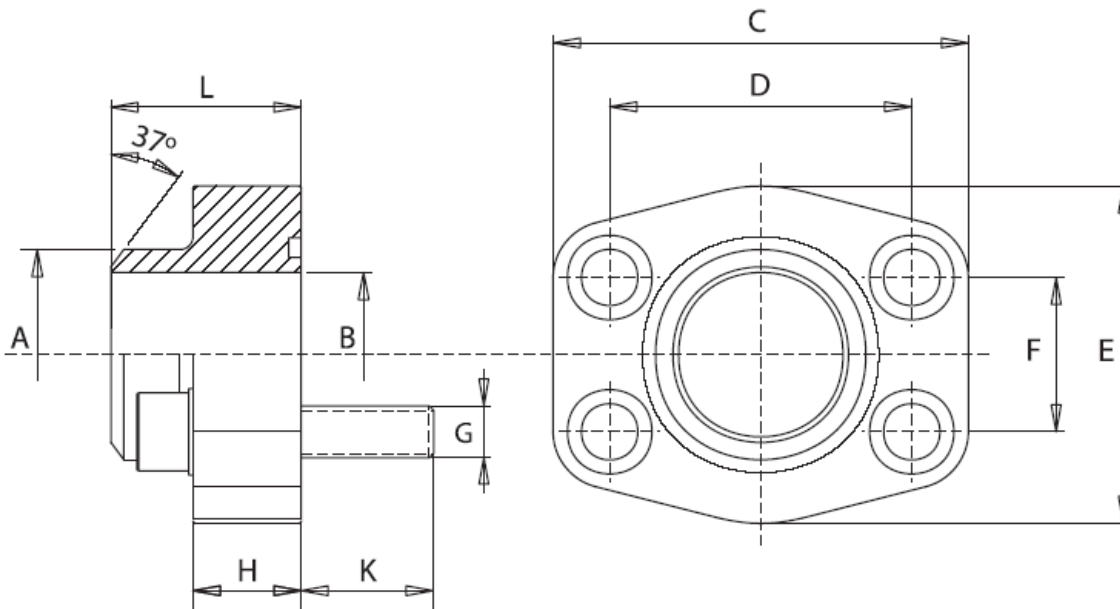
Max. Druck	TYPE	A		B	C	D	E	F	G	H	K	L	M	OR O-Ring	ATP Artikelnummer
		Metr.													
420	C.F.S. 401-S-M	17.5	3/8"	13	58	40.5	48	18.3	M8	16	14	36	18	AN 210	070 533 203
420	C.F.S. 402-S-M	27.2	3/4"	19	72	50.8	54	23.8	M10	19	16	36	20	AN 214	070 533 207
420	C.F.S. 403-S-M	34.1	1"	25	81	57.1	67	27.8	M12	24	19	44	22	AN 219	070 533 210
420	C.F.S. 404-S-M	42.8	1 1/4"	31	95	66.7	78	31.6	M14	27	22	44	22	AN 222	070 533 211
420	C.F.S. 405-S-M	48.6	1 1/2"	38	107	79.4	90	36.5	M16	30	24	51	24	AN 225	070 533 215
420	C.F.S. 406-S-M	61	2"	50	136	96.8	117	44.4	M20	37	32	70	25	AN 228	070 533 220



Anschweisflansch SAE

Weld on SAE flanges

Material: Stahl ASTM/A 105



Max. Druck	TYPE	A		B	C	D	E	F	G	H	K	L	OR	ATP
													O-Ring	Artikelnummer
345	C.F.S. 080-ST-M	21.6	1/2"	13	58	38.1	48	17.5	M8	16	14	36	AN 210	070 514 205
345	C.F.S. 100-ST-M	27.2	3/4"	19	67	47.6	50	22.2	M10	18	16	36	AN 214	070 514 207
345	C.F.S. 102-ST-M	34.5	1"	25	71	52.4	54	26.2	M10	18	16	38	AN 219	070 514 210
275	C.F.S. 104-ST-M	42.8	1 1/4"	31	81	58.7	70	30.2	M10	21	18	41	AN 222	070 514 211
200	C.F.S. 106-ST-M	48.6	1 1/2"	38	95	69.8	78	35.7	M12	25	18	44	AN 225	070 514 215
200	C.F.S. 108-ST-M	61	2"	50	104	77.8	90	42.9	M12	25	18	45	AN 228	070 514 220
170	C.F.S. 110-ST-M	76.6	2 1/2"	63	116	88.9	102	50.8	M12	25	18	50	AN 232	070 514 225
135	C.F.S. 112-ST-M	89	3"	73	136	106.4	125	61.9	M16	27	25	50	AN 237	070 514 230
35	C.F.S. 114-ST-M	103	3 1/2"	89	154	120.7	138	69.8	M16	27	25	50	AN 241	070 514 235
35	C.F.S. 116-ST-M	115	4"	99	164	130.2	148	77.8	M16	27	25	50	AN 245	070 514 240

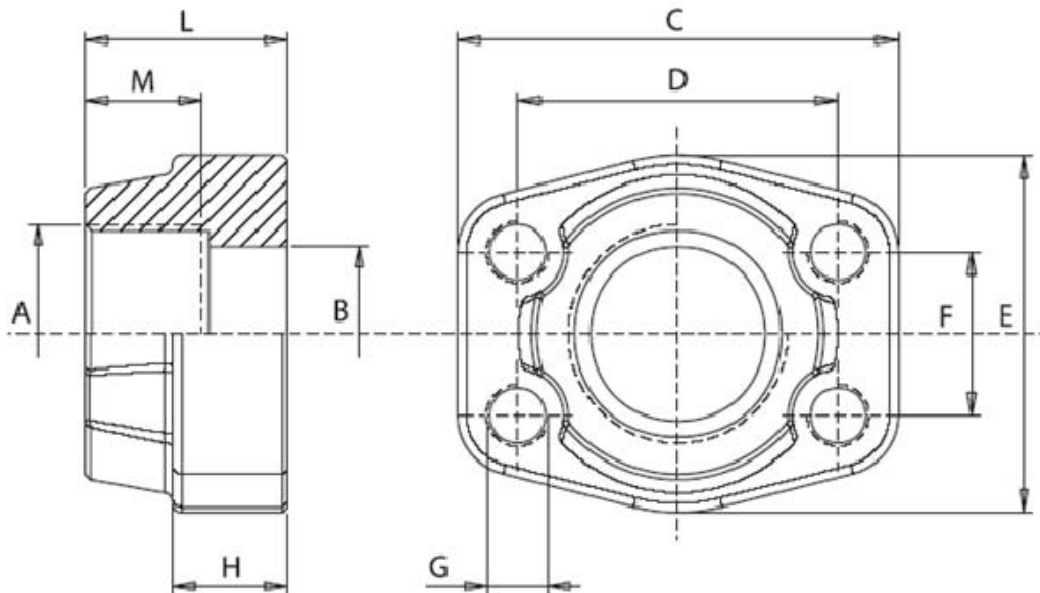
Max. Druck	TYPE	A		B	C	D	E	F	G	H	K	L	OR	ATP
													O-Ring	Artikelnummer
420	C.F.S. 401-ST-M	17.5	3/8"	10	58	40.5	48	18.3	M8	18	14	36	AN 210	070 534 203
420	C.F.S. 402-ST-M	27.2	3/4"	18	72	50.8	54	23.8	M10	18	16	36	AN 214	070 534 207
420	C.F.S. 403-ST-M	34.5	1"	22	81	57.1	67	27.8	M12	24	19	44	AN 219	070 534 210
420	C.F.S. 404-ST-M	42.8	1 1/4"	28	95	66.7	78	31.7	M14	25	22	44	AN 222	070 534 211
420	C.F.S. 405-ST-M	48.6	1 1/2"	32	107	79.4	90	36.5	M16	29	24	51	AN 225	070 534 215
420	C.F.S. 406-ST-M	61	2"	41	136	96.8	117	44.4	M20	35	32	70	AN 228	070 534 220



Gegenflanschverbinder SAE mit Gewinde BSP

BSP threaded SAE counterflanges

Material: Stahl ASTM/A 105



Max. Druck	TYPE	A	B	C	D	E	F	G	H	L	M	ATP Artikelnummer
		BSP						Metr.				
345	C. 080-GAS-F-F-M	1/2"	13	58	38.1	48	17.5	M 8	16	36	19	070 511 805
345	C. 100-GAS-F-F-M	3/4"	19	67	47.6	50	22.2	M10	18	36	19	070 511 807
345	C. 102-GAS-F-F-M	1"	25	72	52.4	54	26.2	M10	18	38	19	070 511 810
275	C. 104-GAS-F-F-M	1 1/4"	31	81	58.7	70	30.2	M10	21	41	22	070 511 811
200	C. 106-GAS-F-F-M	1 1/2"	38	95	69.8	78	35.7	M12	25	44	24	070 511 815
200	C. 108-GAS-F-F-M	2"	50	104	77.8	90	42.9	M12	25	45	26	070 511 820
170	C. 110-GAS-F-F-M	2 1/2"	63	116	88.9	102	50.8	M12	25	50	30	070 511 825
135	C. 112-GAS-F-F-M	3"	73	136	106.4	125	61.9	M16	27	50	34	070 511 830
35	C. 114-GAS-F-F-M	3 1/2"	89	153	120.7	137	69.8	M16	27	50	27	070 511 835
35	C. 116-GAS-F-F-M	4"	99	163	130.2	147	77.8	M16	27	50	30	070 511 840

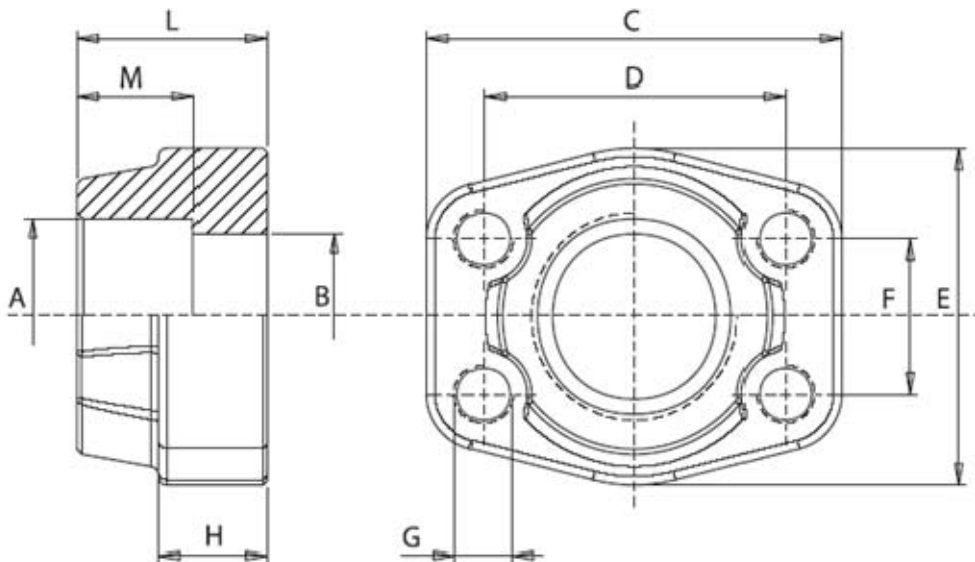
Max. Druck	TYPE	A	B	C	D	E	F	G	H	L	M	ATP Artikelnummer
		BSP						Metr.				
420	C. 401-GAS-F-F-M	3/8"	13	58	40.5	48	18.2	M 8	16	36	19	070 531 803
420	C. 402-GAS-F-F-M	3/4"	19	72	50.8	54	23.8	M10	19	36	22	070 531 807
420	C. 403-GAS-F-F-M	1"	25	81	57.1	70	27.8	M12	24	44	24	070 531 810
420	C. 404-GAS-F-F-M	1 1/4"	31	95	66.7	78	31.6	M14	27	44	25	070 531 811
420	C. 405-GAS-F-F-M	1 1/2"	38	107	79.4	90	36.5	M16	30	51	28	070 531 815
420	C. 406-GAS-F-F-M	2"	50	136	96.8	117	44.4	M20	37	70	33	070 531 820



Gegenflanschverbinder SAE zum Einlöten

Weld in SAE counterflanges

Material: Stahl ASTM/A 105



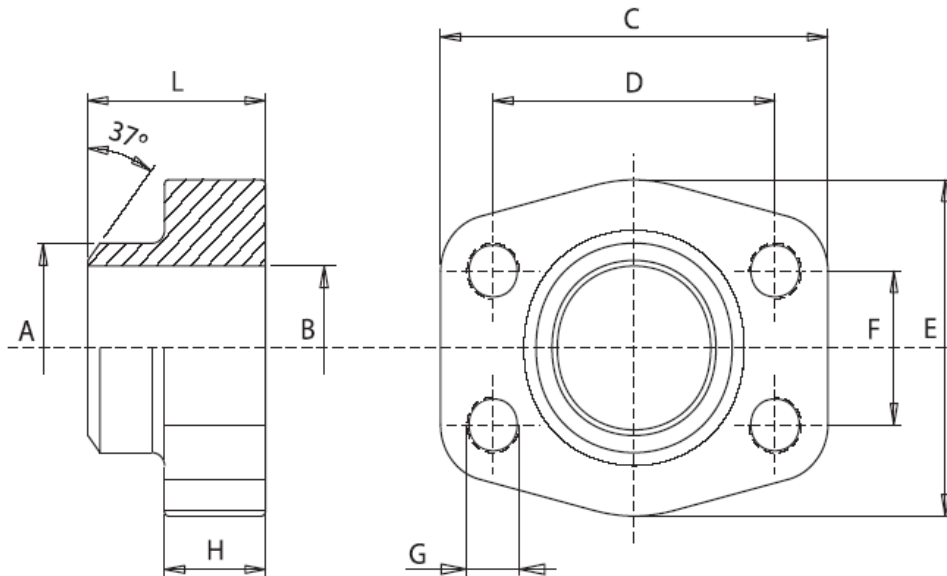
Max. Druck	TYPE	A		B	C	D	E	F	G	H	L	M	ATP Artikelnummer
345	M-C. 080-S-F-F	21.6	1/2"	13	58	38.1	48	17.5	M8	16	36	18	070 513 805
345	M-C. 100-S-F-F	27.2	3/4"	19	67	47.6	50	22.2	M10	18	36	18	070 513 807
345	M-C. 102-S-F-F	34.1	1"	25	72	52.4	54	26.2	M10	18	38	18	070 513 810
275	M-C. 104-S-F-F	42.8	1 1/4"	31	81	58.7	70	30.2	M10	21	41	20	070 513 811
200	M-C. 106-S-F-F	48.6	1 1/2"	38	95	69.8	78	35.7	M12	25	44	22	070 513 815
200	M-C. 108-S-F-F	61	2"	50	104	77.8	90	42.9	M12	25	45	24	070 513 820
170	M-C. 110-S-F-F	76.6	2 1/2"	63	116	88.9	102	50.8	M12	25	50	28	070 513 825
135	M-C. 112-S-F-F	90.5	3"	73	136	106.4	125	61.9	M16	27	50	28	070 513 830
35	M-C. 114-S-F-F	103	3 1/2"	89	153	120.7	137	69.8	M16	27	50	28	070 513 835
35	M-C. 116-S-F-F	115.5	4"	99	163	130.2	147	77.8	M16	27	50	28	070 513 840

Max. Druck	TYPE	A		B	C	D	E	F	G	H	L	M	ATP Artikelnummer
420	M-C. 401-S-F-F	17.5	3/8"	13	58	40.5	48	18.3	M8	16	36	18	070 533 803
420	M-C. 402-S-F-F	27.2	3/4"	19	72	50.8	54	23.8	M10	19	36	20	070 533 807
420	M-C. 403-S-F-F	34.1	1"	25	81	57.1	68	27.8	M12	24	44	22	070 533 810
420	M-C. 404-S-F-F	42.8	1 1/4"	31	95	66.7	78	31.6	M14	27	44	22	070 533 811
420	M-C. 405-S-F-F	48.6	1 1/2"	38	107	79.4	90	36.5	M16	30	51	24	070 533 815
420	M-C. 406-S-F-F	61	2"	50	136	96.8	117	44.4	M20	37	70	25	070 533 820



Gegenflanschverbinder SAE zum Anschweißen Weld on SAE counterflanges

Material: Stahl ASTM/A 105



Max. Druck	TYPE	A		B	C	D	E	F	G	H	L	ATP Artikelnummer
345	C. 080-ST-F-F-M	21.6	1/2"	13	58	38.1	48	17.5	M8	16	36	070 514 805
345	C. 100-ST-F-F-M	27.2	3/4"	19	67	47.6	50	22.2	M10	18	36	070 514 807
345	C. 102-ST-F-F-M	34.5	1"	25	72	52.4	54	26.2	M10	18	38	070 514 810
275	C. 104-ST-F-F-M	42.8	1 1/4"	31	81	58.7	70	30.2	M10	21	41	070 514 811
200	C. 106-ST-F-F-M	48.6	1 1/2"	38	95	69.8	78	35.7	M12	25	44	070 514 815
200	C. 108-ST-F-F-M	61	2"	50	104	77.8	90	42.9	M12	25	45	070 514 820
170	C. 110-ST-F-F-M	76.6	2 1/2"	63	116	88.9	102	50.8	M12	25	50	070 514 825
135	C. 112-ST-F-F-M	89	3"	73	136	106.4	125	61.9	M16	27	50	070 514 830
35	C. 114-ST-F-F-M	103	3 1/2"	89	153	120.7	137	69.8	M16	27	50	070 514 835
35	C. 116-ST-F-F-M	115	4"	99	163	130.0	147	77.8	M16	27	50	070 514 840

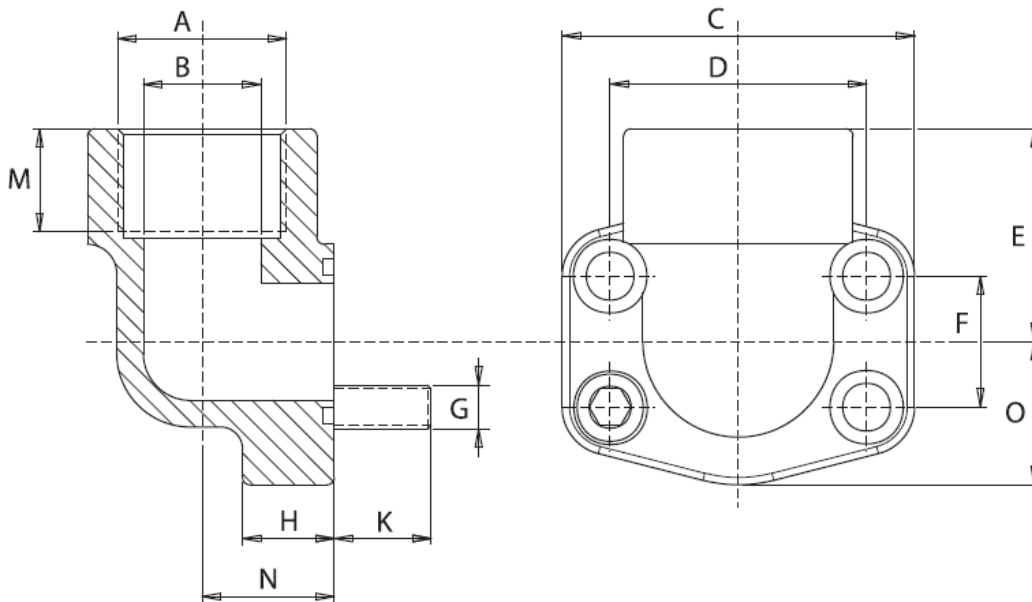
Max. Druck	TYPE	A		B	C	D	E	F	G	H	L	ATP Artikelnummer
420	C. 401-ST-F-F-M	17.5	3/8"	10	58	40.5	48	18.3	M8	16	36	070 534 803
420	C. 402-ST-F-F-M	27.2	3/4"	18	72	50.8	54	23.8	M10	19	36	070 534 807
420	C. 403-ST-F-F-M	34.5	1"	22	81	57.1	68	27.8	M12	24	44	070 534 810
420	C. 404-ST-F-F-M	42.8	1 1/4"	28	95	66.7	78	31.7	M14	27	44	070 534 811
420	C. 405-ST-F-F-M	48.6	1 1/2"	32	107	79.4	90	36.5	M16	30	51	070 534 815
420	C. 406-ST-F-F-M	61	2"	41	136	96.8	117	44.4	M20	37	70	070 534 820



90° Flanschverbinder SAE mit Gewinde BSP

90° BSP threaded SAE flanges

Material: Stahl ASTM/A 105



Max. Druck	TYPE	A	B	C	D	E	F	H	K	M	O	G	OR	ATP Artikelnummer
		SAE										Metr.	O-Ring	
345	F.S. 300.90°-GAS-M	3/4"	19	69	47.6	39	22.2	18	15	20	25	M10	AN 214	070 511 607
345	F.S. 302.90°-GAS-M	1"	25	75	52.4	42	26.2	19	15	20	27	M10	AN 219	070 511 610
275	F.S. 304.90°-GAS-M	1 1/4"	31	82	58.7	50	30.2	22	17	23	34	M10	AN 222	070 511 611
200	F.S. 306.90°-GAS-M	1 1/2"	38	96	69.8	59	35.7	25	18	25	39	M12	AN 225	070 511 615
200	F.S. 308.90°-GAS-M	2"	50	106	77.8	66	42.9	25	18	27	44	M12	AN 228	070 511 620

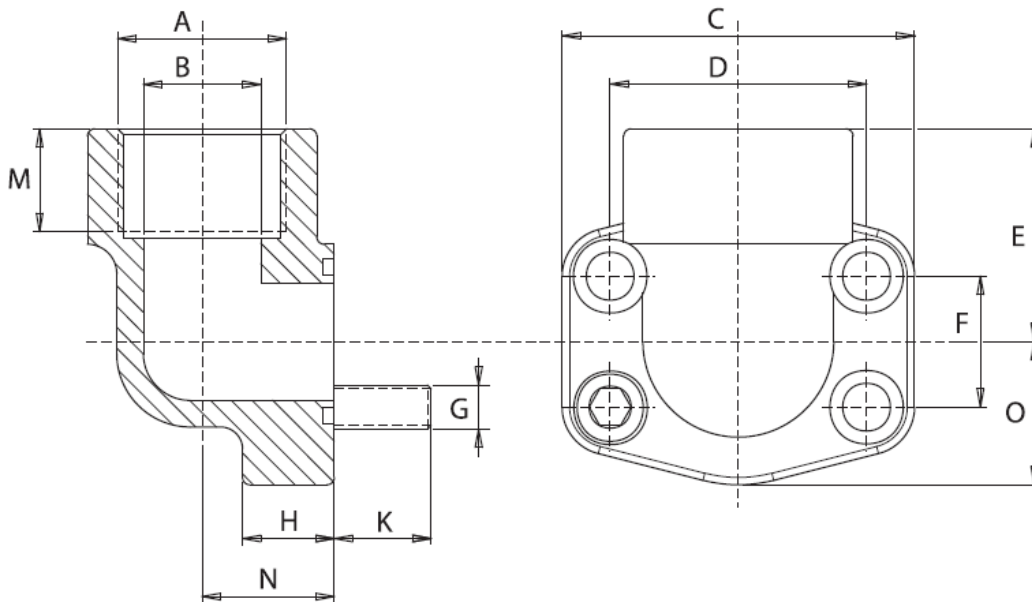
Max. Druck	TYPE	A	B	C	D	E	F	H	K	M	O	G	OR	ATP Artikelnummer
		SAE										Metr.	O-Ring	
420	F.S. 600. 90°-GAS-M	3/4"	19	73	50.8	42	23.8	20	15	23	28	M10	AN 214	070 531 607
420	F.S. 602. 90°-GAS-M	1"	25	83	57.1	50	27.7	24	19	25	34	M12	AN 219	070 531 610
420	F.S. 604. 90°-GAS-M	1 1/4"	31	96	66.7	59	31.7	25	21	27	40	M14	AN 222	070 531 611
420	F.S. 606. 90°-GAS-M	1 1/2"	38	110	79.4	66	36.5	26	25	29	45	M16	AN 225	070 531 615



90° Flanschverbinder SAE zum Anschweißen

90° weld in SAE flanges

Material: Stahl ASTM/A 105



Max. Druck	TYPE	A		B	C	D	E	F	H	K	M	O	G	OR	ATP Artikelnummer
		SAE												O-Ring	
345	F.S. 300.90°-S-M	3/4"	27.2	19	69	47.6	26	22.2	18	15	5	26	M10	AN 214	070 514 607
345	F.S. 302.90°-S-M	1"	34.1	25	73	52.4	29	26.2	19	15	6	28	M10	AN 219	070 514 610
275	F.S. 304.90°-S-M	1 1/4"	42.8	31	83	58.7	35	30.2	22	17	7	35	M10	AN 222	070 514 611
200	F.S. 306.90°-S-M	1 1/2"	48.6	38	96	69.8	44	35.7	25	18	8	40	M12	AN 225	070 514 615
200	F.S. 308.90°-S-M	2"	61	50	106	77.8	51	42.9	25	18	10	45	M12	AN 228	070 514 620

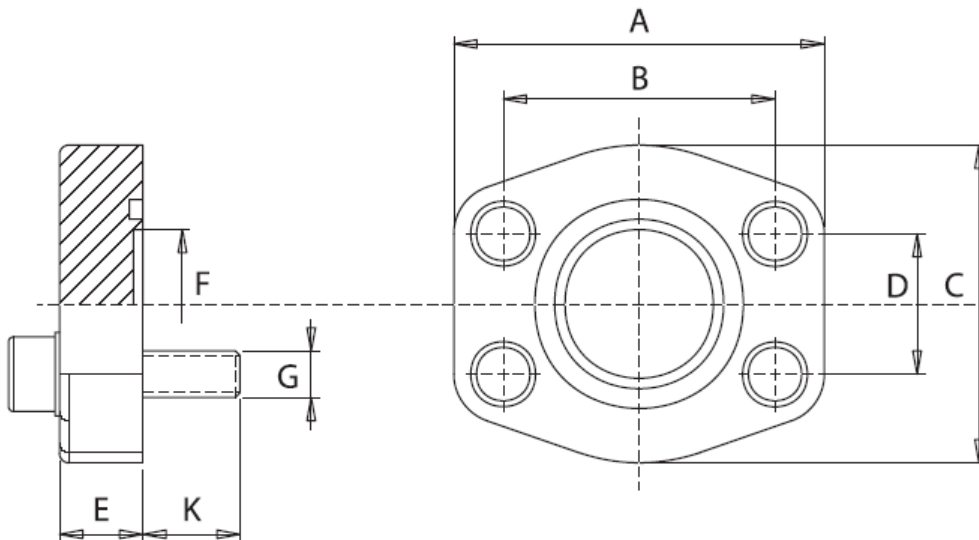
Max. Druck	TYPE	A		B	C	D	E	F	H	K	M	O	G	OR	ATP Artikelnummer
		SAE												O-Ring	
420	F.S. 600.90°-S-M	3/4"	27.2	19	73	50.8	29	23.8	19	15	6	28	M10	AN 214	070 534 607
420	F.S. 602.90°-S-M	1"	24.1	25	83	57.1	35	27.8	24	19	7	35	M12	AN 219	070 534 610
420	F.S. 604.90°-S-M	1 1/4"	42.8	31	96	66.7	44	31.7	25	21	8	40	M14	AN 222	070 534 611
420	F.S. 606.90°-S-M	1 1/2"	48.6	38	110	79.4	50	36.5	26	25	10	45	M16	AN 225	070 534 615



SAE Verschlussflansch

Blinde flanges SAE

Material: Stahl ASTM/A 105



Max. Druck	TYPE	A		B	C	D	E	F	G	K	OR	ATP Artikelnummer
									Metr.		O-Ring	
345	C.F.C.S. 100-M	3/4"	67	47.6	50	22.2	18	15	M10	16	AN 214	070 515 207
345	C.F.C.S. 102-M	1"	72	52.4	54	26.2	19	18	M10	16	AN 219	070 515 210
275	C.F.C.S. 104-M	1 1/4"	80	58.7	70	30.2	21	23	M10	18	AN 222	070 515 211
200	C.F.C.S. 106-M	1 1/2"	96	69.8	78	35.7	24	28	M12	19	AN 225	070 515 215
200	C.F.C.S. 108-M	2"	104	77.8	90	42.9	24	45	M12	19	AN 228	070 515 220
175	C.F.C.S. 110-M	2 1/2"	117	88.9	102	50.8	25	58	M12	19	AN 232	070 515 225
135	C.F.C.S. 112-M	3"	137	106.4	125	61.9	25	70	M16	27	AN 237	070 515 230
35	C.F.C.S. 114-M	3 1/2"	153	120.6	137	69.8	25	85	M16	27	AN 241	070 515 235
35	C.F.C.S. 116-M	4"	163	130.2	147	77.8	25	95	M16	27	AN 245	070 515 240

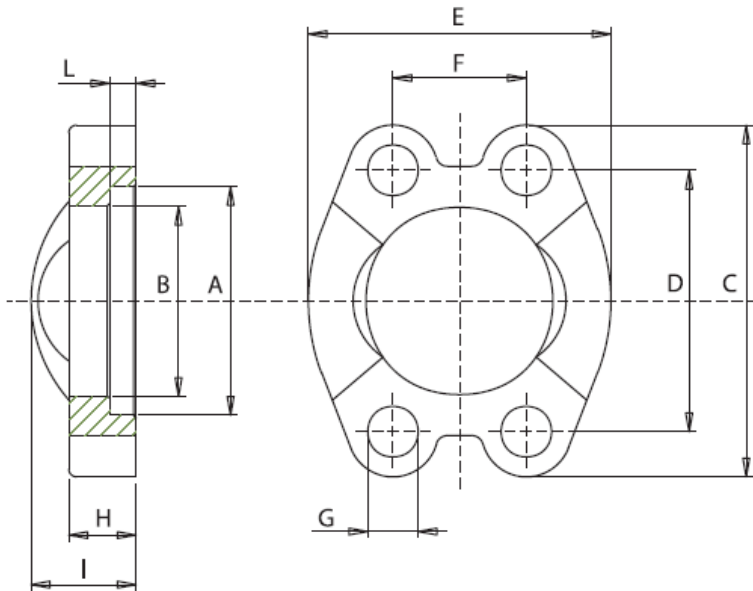
Max. Druck	TYPE	A		B	C	D	E	F	G	K	OR	ATP Artikelnummer
									Metr.		O-Ring	
420	C.F.C.S. 402-M	3/4"	72	50.8	54	23.8	19	15	M10	16	AN 214	070 535 207
420	C.F.C.S. 403-M	1"	80	57.1	67	27.8	24	22	M12	18	AN 219	070 535 210
420	C.F.C.S. 404-M	1 1/4"	95	66.7	78	31.7	27	30	M14	24	AN 222	070 535 211
420	C.F.C.S. 405-M	1 1/2"	104	79.4	90	36.5	30	35	M16	24	AN 225	070 535 215
420	C.F.C.S. 406-M	2"	136	96.8	124	44.4	35	48	M20	31	AN 228	070 535 220



SAE Voll-Flanschverbinder

Uncut SAE split flanges

Material: Stahl ASTM/A 105



Max. Druck	TYPE	A		B	C	D	E	F	G	H	I	L	ATP Artikelnummer
		1/2"	31	24.3	55	38.1	46	17.5	8.75	13	20	6.2	
210	S.I. 3001-M	1/2"	31	24.3	55	38.1	46	17.5	8.75	13	20	6.2	070 516 005
210	S.I. 3002-M	3/4"	38.9	32.1	66	47.6	52	22.2	10.5	14	22	6.2	070 516 007
210	S.I. 3003-M	1"	45.2	38.5	69	52.4	59	26.2	10.5	16	24	7.5	070 516 010
210	S.I. 3004-M	1 1/4"	51.6	43.7	79	58.7	73	30.2	12	14	22	7.5	070 516 011
210	S.I. 3005-M	1 1/2"	61.1	50.8	95	69.9	83	35.7	13.5	16	25	7.5	070 516 015
210	S.I. 3006-M	2"	72.2	62.7	103	77.8	97	42.9	13.5	16	26	9	070 516 020
175	S.I. 3007-M	2 1/2"	84.9	74.9	114	88.9	109	50.8	13.5	19	38	9	070 516 025
135	S.I. 3008-M	3"	102.4	90.9	136	106.4	131	61.9	17	22	41	9	070 516 030
35	S.I. 3009-M	3 1/2"	115	102.4	151	120.7	140	69.9	17	23	45	10.7	070 516 035

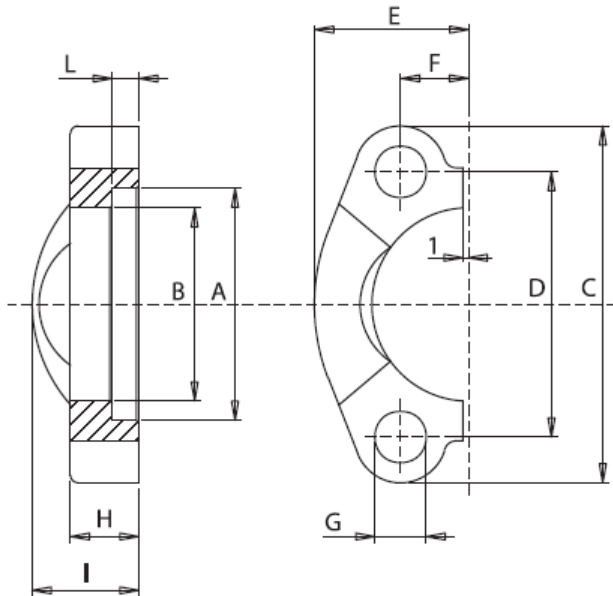
Max. Druck	TYPE	A		B	C	D	E	F	G	H	I	L	ATP Artikelnummer
		1/2"	32.5	24.6	58	40.5	48	18.2	8.75	16	22	7.2	
420	S.I. 6001-M	1/2"	32.5	24.6	58	40.5	48	18.2	8.75	16	22	7.2	070 536 005
420	S.I. 6002-M	3/4"	42	32.5	71	50.8	60	23.8	10.5	19	28	8.3	070 536 007
420	S.I. 6003-M	1"	48.4	38.9	80	57.2	70	27.8	13	24	32	9	070 536 010
420	S.I. 6004-M	1 1/4"	54.8	44.5	97	66.7	78	31.8	15	27	38	9.8	070 536 011
420	S.I. 6005-M	1 1/2"	64.3	51.6	112	79.4	96	36.5	17	30	42	12.1	070 536 015
420	S.I. 6006-M	2"	80.2	67.6	135	96.8	114	44.4	21	37	52	12.1	070 536 020



SAE Halbflansche

SAE split flanges

Material: Stahl ST 52.3



Max. Druck	TYPE	A		B	C	D	E	F	G	H	I	L	ATP Artikelnummer
		1/2"	31	24.3	55	38.1	23	8.7	8.75	13	20	6.2	
210	S.F. 3001-M	1/2"	31	24.3	55	38.1	23	8.7	8.75	13	20	6.2	070 517 005
210	S.F. 3002-M	3/4"	38.9	32.1	66	47.6	26	11.1	10.5	14	22	6.2	070 517 007
210	S.F. 3003-M	1"	45.2	38.5	69	52.4	29.2	13.1	10.5	16	24	7.5	070 517 010
210	S.F. 3004-M	1 1/4"	51.6	43.7	79	58.7	36.3	15.1	12	14	22	7.5	070 517 011
210	S.F. 3005-M	1 1/2"	61.1	50.8	95	69.9	41.1	17.9	13.5	16	25	7.5	070 517 015
210	S.F. 3006-M	2"	72.2	62.7	103	77.8	48.2	21.4	13.5	16	26	9	070 517 020
175	S.F. 3007-M	2 1/2"	84.9	74.9	114	88.9	54	25.4	13.5	19	38	9	070 517 025
135	S.F. 3008-M	3"	102.4	90.9	136	106.4	65.3	31	17	22	41	9	070 517 030
35	S.F. 3009-M	3 1/2"	115	102.4	151	120.65	70	34.9	17	23	45	10.7	070 517 035
35	S.F. 3010-M	4"	127.8	115.1	161	130.18	75	38.9	17	25	48	10.7	070 517 040

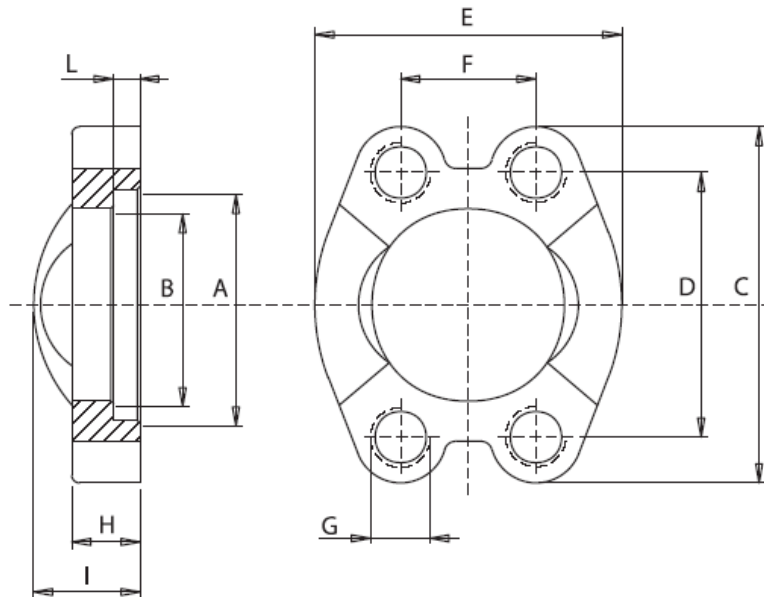
Max. Druck	TYPE	A		B	C	D	E	F	G	H	I	L	ATP Artikelnummer
		1/2"	32.5	24.6	58	40.5	24	9.1	8.75	16	22	7.2	
420	S.F. 6001-M	1/2"	32.5	24.6	58	40.5	24	9.1	8.75	16	22	7.2	070 537 005
420	S.F. 6002-M	3/4"	42	32.5	71	50.8	30	11.9	10.5	19	28	8.3	070 537 007
420	S.F. 6003-M	1"	48.4	38.9	80	57.2	35	13.9	13	24	32	9	070 537 010
420	S.F. 6004-M	1 1/4"	54.8	44.5	97	66.7	39	15.9	15	27	38	9.8	070 537 011
420	S.F. 6005-M	1 1/2"	64.3	51.6	112	79.4	48	18.3	17	30	42	12.1	070 537 015
420	S.I. 6006-M	2"	80.2	67.6	135	96.8	57	22.2	21	37	52	12.1	070 537 020



SAE Voll-Flanschverbinder als Gegenflansch mit Gewinde

Uncut SAE split flanges with metric threaded fixing holes

Material: Stahl ST 52.3



Max. Druck	TYPE	A		B	C	D	E	F	G	H	I	L	ATP Artikelnummer
		in	mm	mm	mm	mm	mm	mm	mm	mm	mm	mm	
210	S.I. 3001-F-F	1/2"	31	24.3	55	38.1	46	17.5	M8	13	20	6.2	070 516 105
210	S.I. 3002-F-F	3/4"	38.9	32.1	66	47.6	52	22.2	M10	14	22	6.2	070 516 107
210	S.I. 3003-F-F	1"	45.2	38.5	69	52.4	59	26.2	M10	16	24	7.5	070 516 110
210	S.I. 3004-F-F	1 1/4"	51.6	43.7	79	58.7	73	30.2	M10	14	22	7.5	070 516 111
210	S.I. 3005-F-F	1 1/2"	61.1	50.8	95	69.9	83	35.7	M12	16	25	7.5	070 516 115
210	S.I. 3006-F-F	2"	72.2	62.7	103	77.8	97	42.9	M12	16	26	9	070 516 120
175	S.I. 3007-F-F	2 1/2"	84.9	74.9	114	88.9	109	50.8	M12	19	38	9	070 516 121
135	S.I. 3008-F-F	3"	102.4	90.9	136	106.4	131	61.9	M16	22	41	9	070 516 125
35	S.I. 3009-F-F	3 1/2"	115	102.4	151	120.6	140	69.8	M16	23	45	10.7	070 516 130

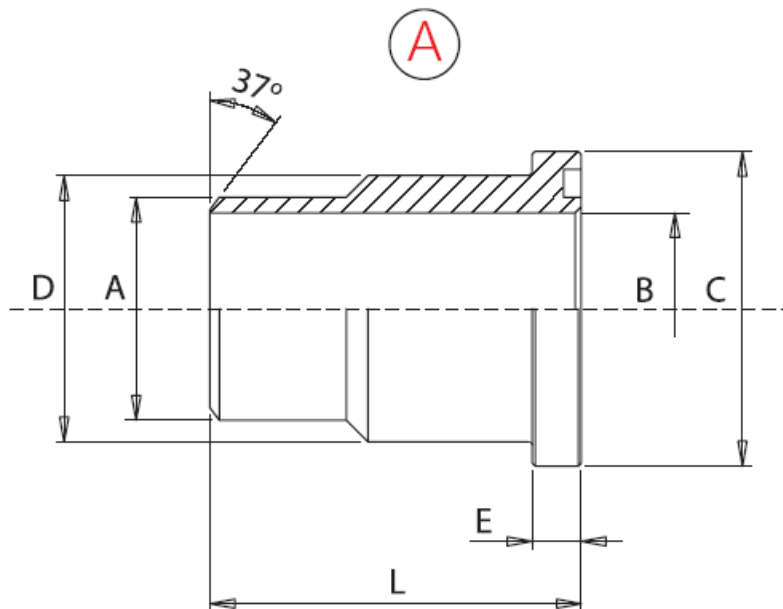
Max. Druck	TYPE	A		B	C	D	E	F	G	H	I	L	ATP Artikelnummer
		in	mm	mm	mm	mm	mm	mm	mm	mm	mm	mm	
420	S.I. 6001-F-F	1/2"	32.5	24.6	58	40.5	48	18.2	M8	16	22	7.2	070 536 105
420	S.I. 6002-F-F	3/4"	42	32.5	71	50.8	60	23.8	M10	19	28	8.3	070 536 107
420	S.I. 6003-F-F	1"	48.4	38.9	80	57.2	70	27.8	M12	24	32	9	070 536 110
420	S.I. 6004-F-F	1 1/4"	54.8	44.5	97	66.7	78	31.8	M14	27	38	9.8	070 536 111
420	S.I. 6005-F-F	1 1/2"	64.3	51.6	112	79.4	96	36.5	M16	30	42	12.1	070 536 115
420	S.I. 6006-F-F	2"	80.2	67.6	135	96.8	114	44.4	M20	37	52	12.1	070 536 120



SAE Flansch-Schulter zum Vorschweissen

Weld on SAE adaptors

Material: Stahl ASTM/A 105



Max. Druck	TYPE	für	A	B	C	D	E	L	OR	ATP Artikelnummer
		Flansch							O-Ring	
275	C. 3001 - ST - A	1/2"	22	13	30.2	24	6.7	45	AN 210	070 517 905
275	C. 3002 - ST - A	3/4"	28	19	38.1	31.5	6.7	50	AN 214	070 517 907
275	C. 3003 - ST - A	1"	35	25	44.4	38	8	55	AN 219	070 517 910
275	C. 3004 - ST - A	1 1/4"	43	31	50.8	43	8	60	AN 222	070 517 912
275	C. 3005 - ST - A	1 1/2"	50	38	60.3	50	8	65	AN 225	070 517 915
275	C. 3006 - ST - A	2"	62	47	71.4	62	9.5	70	AN 228	070 517 920
175	C. 3007 - ST - A	2 1/2"	74	63	84.1	74	9.5	75	AN 232	070 517 925
135	C. 3008 - ST - A	3"	90	70	101.6	90	9.5	85	AN 237	-
35	C. 3009 - ST - A	3 1/2"	102	88	114.3	102	11.2	90	AN 241	-
35	C. 3010 - ST - A	4"	115	98	127	114	11.2	100	AN 245	-

Max. Druck	TYPE	für	A	B	C	D	E	L	OR	ATP Artikelnummer
		Flansch							O-Ring	
420	C. 6001 - ST - A	1/2"	22	13	31.8	24	7.7	45	AN 210	070 537 905
420	C. 6002 - ST - A	3/4"	28	18	41.3	32	8.7	50	AN 214	070 537 907
420	C. 6003 - ST - A	1"	35	22	47.6	38	9.5	55	AN 219	070 537 910
420	C. 6004 - ST - A	1 1/4"	44	29	54	44	10.3	60	AN 222	070 537 911
420	C. 6005 - ST - A	1 1/2"	51	35	63.5	51	12.5	65	AN 225	070 537 915
420	C. 6006 - ST - A	2"	61	43	79.4	67	12.5	70	AN 228	070 537 920



O-Ringe O-Rings

Die O-Ringe sind aus NBR in der Härte von 90 Shore
The O-rings are made of NBR (90 shore)

AN-Nr.	Dimensionen	ATP Artikelnummer
AN 210	Ø 18,64 x 3,53	203 540 186
AN 214	Ø 24,99 x 3,53	203 540 250
AN 219	Ø 32,92 x 3,53	203 540 329
AN 222	Ø 37,69 x 3,53	203 540 377
AN 225	Ø 47,22 x 3,53	203 540 472
AN 228	Ø 56,74 x 3,53	203 540 567
AN 232	Ø 69,44 x 3,53	203 540 694
AN 237	Ø 85,32 x 3,53	203 540 853
AN 241	Ø 98,02 x 3,53	203 540 980
AN 245	Ø 110,70 x 3,53	203 541 107

Spezifikation für SAE-Flanschlochbilder Specification for SAE flange ports

SAE Norm	Reihe	Im Katalog
SAE Code 61	Standartreihe	210 bar = 3000 psi
SAE Code 62	Hochdruckreihe	420 bar = 6000 psi

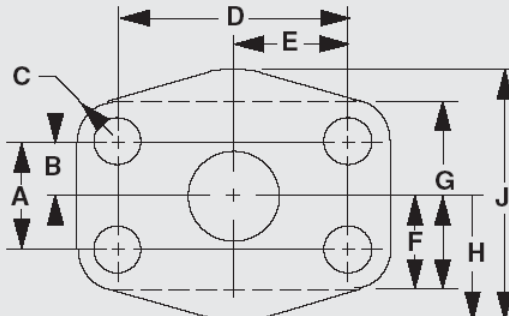
Achtung:

SAE-Flansche > 2" dürfen nicht mit dem Druck von 210 bar resp. 420 bar beaufschlagt werden



Abmasse für SAE-Flanschlochbilder

Dimension for SAE flange ports

SAE CODE 61			SAE CODE 62	
Nominaler SAE-Flansch	SAE maximal empfohlener Arbeitsdruck*		Nominaler SAE-Flansch	SAE maximal empfohlener Arbeitsdruck*
3/4"	350 bar		1/2"	420 bar
1"	350 bar		3/4"	420 bar
1 1/4"	280 bar		1"	420 bar
1 1/2"	210 bar		1 1/4"	420 bar
2"	210 bar		1 1/2"	420 bar
			2"	420 bar

Standard										Hochdruck									
SAE CODE 61 / 4 Bolzen-Flanschlochbild										SAE CODE 62 / 4 Bolzen-Flanschlochbild									
SAE-Flansch	A	B	C	D	E	F	G	H	J	SAE-Flansch	A	B	C	D	E	F	G	H	J
3/4"	22,2	11,1	8,7	47,6	23,8	20,6	41,3	26,2	52,4	1/2"	18,3	9,1	7,9	40,5	20,2	19,1	38,1	23,8	47,6
1"	26,2	13,1	8,7	52,4	26,2	23,8	47,6	29,4	58,7	3/4"	23,8	11,9	10,3	50,8	25,4	23,8	47,6	30,2	60,3
1 1/4"	30,2	15,1	10,3	58,7	29,4	27	54	36,5	73	1"	27,8	13,9	11,9	57,2	28,6	27	54	34,9	69,9
1 1/2"	35,7	17,9	11,9	69,9	34,9	31,8	63,8	41,3	82,6	1 1/4"	31,8	15,9	14,3	66,7	33,3	30,2	60,3	38,9	77,8
2"	42,9	21,4	11,9	77,8	38,9	38,1	76,2	48,4	96,8	1 1/2"	36,5	18,3	16,7	79,4	39,7	34,9	69,9	47,6	95,3
										2"	44,5	22,2	18,3	96,8	48,4	42,9	85,7	57,2	14,3

Metrisches Befestigungsgewinde					Metrisches Befestigungsgewinde				
SAE-Flansch	Bohrungs-durchmesser	Senkungs-durchmesser	Befestigungs-gewinde	Gewinde-tiefe	SAE-Flansch	Bohrungs-durchmesser	Senkungs-durchmesser	Befestigungs-gewinde	Gewinde-tiefe
3/4"	10,7	17,5	M10x1,5-6H	22,2	1/2"	8,6	14,3	M8x1,25-6H	20,6
1"	10,7	17,5	M10x1,5-6H	22,2	3/4"	10,7	17,5	M10x1,5-6H	23,8
1 1/4"	10,7	17,5	M10x1,5-6H	28,6	1"	12,7	19,1	M12x1,75-6H	27
1 1/2"	12,7	19,1	M12x1,75-6H	27	1 1/4"	15	22,2	M14x2,0-6H	28,4
2"	12,7	19,1	M12x1,75-6H	27	1 1/2"	16,8	25,4	M16x2,0-6H	34,9
					2"	20,6	31,8	M20x2,5-6H	38,1

Referenz: DIN 20066 4-Bolzenflansch

Referenz: DIN 20066 4-Bolzenflansch

Zölliges Befestigungsgewinde					Zölliges Befestigungsgewinde				
SAE-Flansch	Bohrungs-durchmesser	Senkungs-durchmesser	Befestigungs-gewinde	Gewinde-tiefe	SAE-Flansch	Bohrungs-durchmesser	Senkungs-durchmesser	Befestigungs-gewinde	Gewinde-tiefe
3/4"	10,4	15,1	3/8-16 UNC	22,2	1/2"	8,6	12,7	5/16-18UNC	12,7
1"	10,4	15,1	3/8-16 UNC	22,2	3/4"	10,4	15	3/8-16UNC	15
1 1/4"	11,9	17,5	7/16-14UNC	28,6	1"	11,9	17,5	7/16-14UNC	17,5
1 1/2"	13,5	19,8	1/2-13UNC	27	1 1/4"	13,5	19,8	1/2-13UNC	19,8
2"	13,5	19,8	1/2-13UNC	27	1 1/2"	16,8	24,6	5/8-11UNC	24,6
					2"	19,8	29,4	3/4-10UNC	29,4

Referenz: J518 4-Bolzenflansch

Referenz: J518 4-Bolzenflansch



Durchfluss-Nomogramm

Die nachstehende Tabelle erleichtert die Bestimmung des wirtschaftlichen Schlauchquerschnittes für eine bestimmte Durchflussmenge bei idealer Strömungsgeschwindigkeit.

Druckverluste in Schlauchleitungen und Festlegen der Leitungsquerschnitte

Im Interesse eines günstigen Wirkungsgrades ist es bei der Planung von hydraulischen Anlagen wichtig, die **Durchflussquerschnitte** der Leitung so genau wie möglich zu bestimmen.

Zu enge Leitungen haben Druckverluste und übermäßige Erwärmung des Mediums zur Folge, da der gesamte Energieverlust in Wärme umgesetzt wird. Die Lichtweite von Hydraulikschläuchen sollte so gewählt werden, dass die Strömungsgeschwindigkeit je nach der Länge der Leitungen und der Viskosität des Mediums im Bereich von 2 bis 6 m/Sek. liegt. Der Druckverlust verhält sich ungefähr **proportional** zur Durchflussgeschwindigkeit, zur Länge der Schlauchleitung und zur Viskosität des Mediums, wobei sich die einzelnen Werte **addieren**.

Saugleitungen bedingen einen möglichst kleinen Druckverlust. Der Schlauchquerschnitt ist daher so zu wählen, dass die Strömungsgeschwindigkeit, wenn möglich unter 2 m/Sek. liegt.

Flow rate nomogram

The chart shown below facilitates the definition of the most economic hose-width for a certain flow quantity at an ideal flow rate.

Loss of pressure in hose line and determination of the line widths

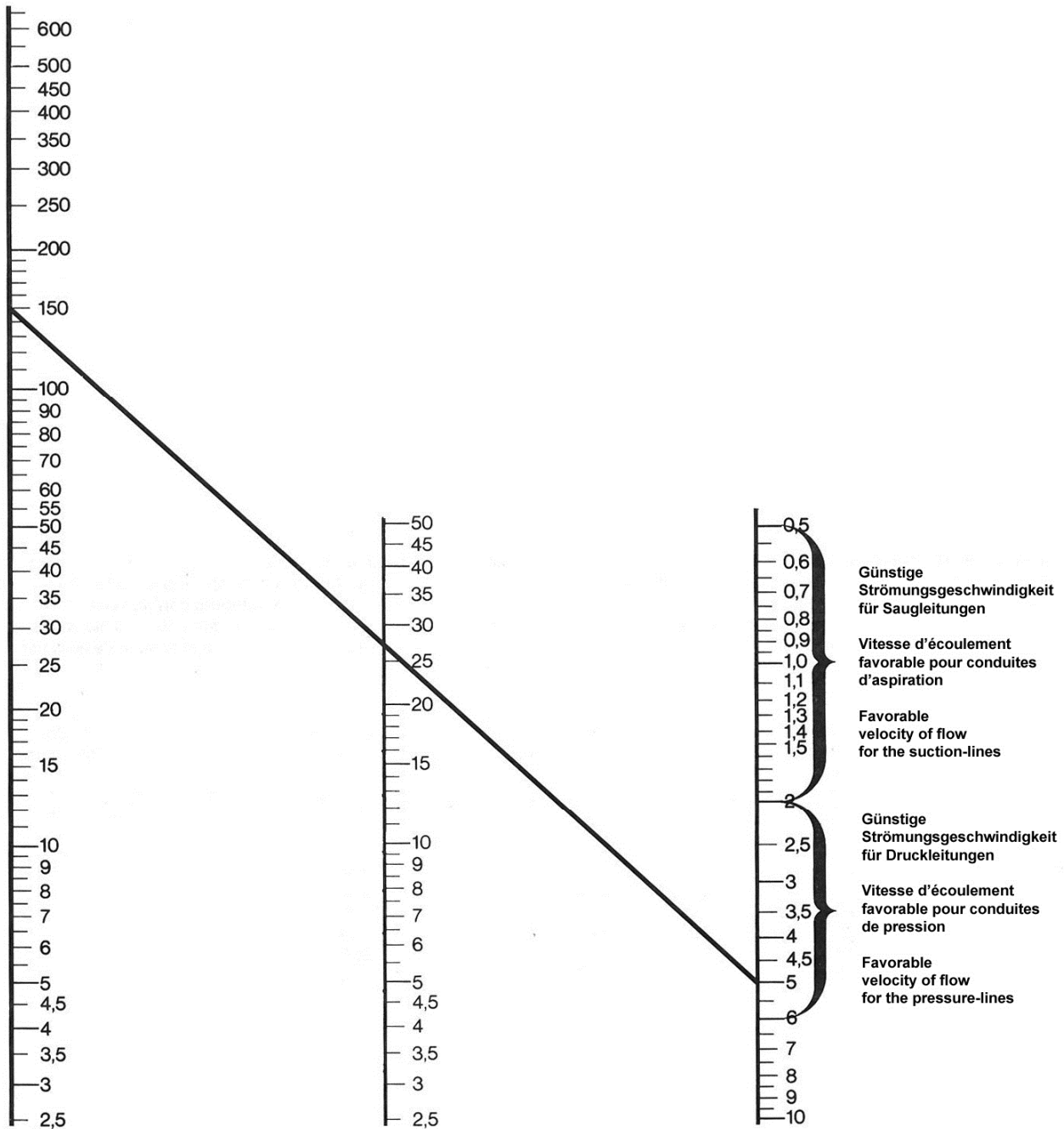
In the interest of an economic efficiency it is important during the planning of hydraulic plants to determine the line widths as accurately as possible.

Too narrow lines cause loss of pressure and excessive heating of the medium, since the entire loss of energy is transformed into heat. The width of the hydraulic hoses should be chosen so that the flow rate (depending on the length of the lines and viscosity of the medium) lies in the range of 2 to 6 m/sec. The loss of pressure is approximately proportional to the flow rate, to the length of the hose lines and to the viscosity of the medium, whereby all the values are added together.

Suction-lines require a pressure loss that is as low as possible. The hose diameter is therefore to be chosen so that the flow rate lies under 2m/sec. if possible.



Nomogram



Durchflussmenge l/min. (Q)
Volume du débit l/min. (Q)
Flow rate l/min. (Q)

Schlauch-Innendurchmesse in mm (d)
Diamètre intérieur du tuyau en mm (d)
Inner diameter of hose in mm (d)

Beispiel

Gesucht ist der Leitungsdurchmesser (d) für eine gegebene Durchflussmenge 150 l/min. (Q) bei einer Strömungsgeschwindigkeit von 5 m/Sek. (v)

Ergebnis

d=25 (DN 25)

Exemple

Déterminez le diamètre de la tuyauterie (d), partant d'une débit de 150 l/min (Q), et d'une vitesse de passage de 5 m/sec. (v).

Résultat

d=25 (DN25)

Example

Find the line diameter (d) for a flow quantity of 150 l/min. (Q) at a flow rate of 5m/sec. (v)

Result

d=25 (DN 25)



Chemische Material Zusammensetzung

Chemical material composition

(Schmelzenanalyse) in Gewichtsprozent [%]

Typ	C	Si	Mn	P	S	N	C _E
	max.	max.	max.	max.	max.	max.	max.
ST 52.3	0,20	0,55	1,60	0,030	0,030	0,012	0,45
ASTM/A 105	1,18	0,23	0,85	0,011	0,010	0,040	0,36



INDEX

ATP-Art.Nr.	Seite	Bezeichnung	Seite
070 511 2xx.....	2, 3	C. 4xx-GAS-F-F-M	7
070 511 3xx.....	4	C. 4xx-ST-F-F-M	9
070 511 6xx.....	10	C. 600x - ST - A.....	16
070 511 8xx.....	7	C. xxx-GAS-F-F-M.....	7
070 513 2xx.....	5	C. xxx-ST-F-F-M.....	9
070 513 8xx.....	8	C.F.C.S. 1xx-M.....	12
070 514 2xx.....	6	C.F.C.S. 40x-M.....	12
070 514 6xx.....	11	C.F.S. 4xx-GAS-M.....	2
070 514 8xx.....	9	C.F.S. 4xx-GAS-U	3
070 515 2xx.....	12	C.F.S. 4xx-NPT-M	4
070 516 0xx.....	13	C.F.S. 4xx-S-M.....	5
070 516 1xx.....	15	C.F.S. 4xx-ST-M.....	6
070 517 0xx.....	14	C.F.S. xxx-GAS-M.....	2
070 517 9xx.....	16	C.F.S. xxx-GAS-U	3
070 531 2xx.....	2, 3	C.F.S. xxx-NPT-M	4
070 531 3xx.....	4	C.F.S. xxx-S-M.....	5
070 531 6xx.....	10	C.F.S. xxx-ST-M.....	6
070 531 8xx.....	7	F.S. 30x.90°-S-M.....	11
070 533 2xx.....	5	F.S. 3xx.90°-GAS-M.....	10
070 533 8xx.....	8	F.S. 60x. 90° S-M.....	11
070 534 2xx.....	6	F.S. 6xx. 90°-GAS-M.....	10
070 534 6xx.....	11	M-C. 4xx-S-F-F.....	8
070 534 8xx.....	9	M-C. xxx-S-F-F.....	8
070 535 2xx.....	12	S.F. 600x-M.....	14
070 536 0xx.....	13	S.I. 300x-F-F	15
070 536 1xx.....	15	S.I. 300x-M.....	13
070 537 0xx.....	14	S.I. 600x-F-F	15
070 537 9xx.....	16	S.I. 600x-M.....	13
C. 30xx - ST - A.....	16	SF. 30xx-M.....	14